

# HA17800V/VP/VPJ Series

## 3-terminal Fixed Voltage Regulators

# HITACHI

### Description

HA17800V series is positive output 1 A three-terminal regulator IC. Which features are as follows. It is designed to suit to the power supply of various equipments and to stabilize the multi switching regulator voltage, and to supply power to some kind of control devices.

### Features

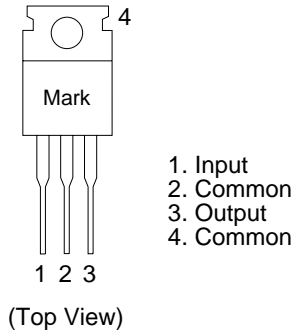
- High ripple rejection ratio up to high frequency  
(f = 20 kHz): 60 dB(in the case of HA17805V/VP/VPJ)
- Protected against oscillation
- Regulated output voltage against temperature  
(0 Ta = 125°C, 80 ppm/°C typ)
- Hard to breakdown against irrelevant connection
- Built-in circuits as over current control circuit, temperature protection circuit, and area of safety operation control circuit

### Ordering Information

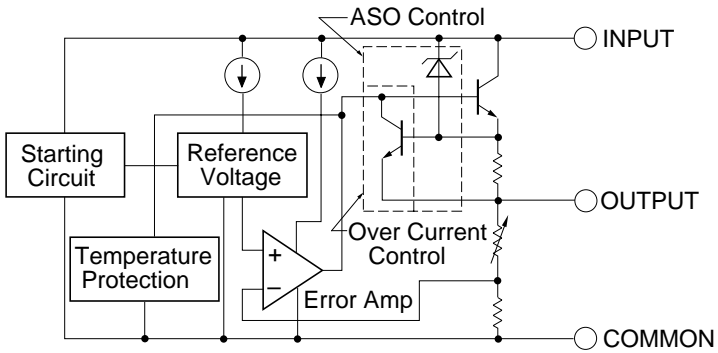
Output Voltage (V)	Automotive Use	Industrial Use	Commercial Use	Package
5	HA17805VPJ	HA17805VP	HA17805V	TO - 220AB
6	HA17806VPJ	HA17806VP	HA17806V	
7	HA17807VPJ	HA17807VP	HA17807V	
8	HA17808VPJ	HA17808VP	HA17808V	
12	HA17812VPJ	HA17812VP	HA17812V	
15	HA17815VPJ	HA17815VP	HA17815V	
18	HA17818VPJ	HA17818VP	HA17818V	
24	HA17824VPJ	HA17824VP	HA17824V	

# HA17800V/VP/VPJ Series

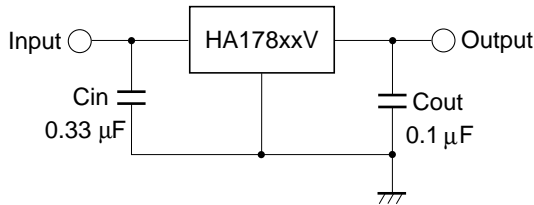
## Pin Arrangement



## Block Diagram



## Standard Circuit



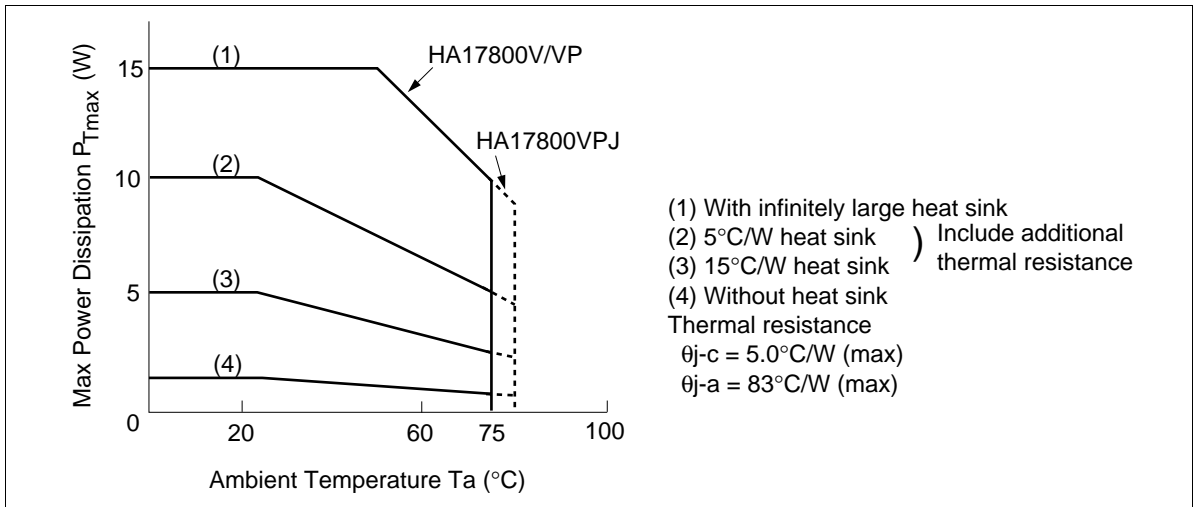
HITACHI

## Absolute Maximum Ratings ( $T_a = 25^\circ\text{C}$ )

Item	Symbol	Ratings		Unit	Notes
		HA17800V/VP	HA17800VPJ		
Input voltage	$V_{IN}$	35	35	V	1
Power dissipation	$P_T$	15	15	W	2
Operating ambient temperature	$T_{opr}$	-20 to +75	-40 to +85	$^\circ\text{C}$	
Storage temperature	$T_{stg}$	-55 to +125	-50 to +125	$^\circ\text{C}$	
Operating junction temperature	$T_j$	-20 to +125	-40 to +125	$^\circ\text{C}$	

Notes: 1. HA17824V/VP/VPJ, 40 V

2. Follow derating curve



# HA17800V/VP/VPJ Series

## HA17805V/VP/VPJ Electrical Characteristics

( $V_{IN} = 10\text{ V}$ ,  $I_{OUT} = 500\text{ mA}$ ,  $0^\circ\text{C} \leq T_j \leq 125^\circ\text{C}$ ,  $C_{IN} = 0.33\ \mu\text{F}$ ,  $C_{OUT} = 0.1\ \mu\text{F}$ )

Item	Symbol	Min	Typ	Max	Unit	Test Conditions
Output voltage	$V_{OUT1}$	4.8	5.0	5.2	V	$T_j = 25^\circ\text{C}$
	$V_{OUT2}$	4.75	—	5.25	V	$7\text{ V} \leq V_{IN} \leq 20\text{ V}$ , $5\text{ mA} \leq I_{OUT} \leq 1.0\text{ A}$ , $P_T \leq 15\text{ W}$
Line regulation	$\delta V_{OLine1}$	—	30	100	mV	$T_j = 25^\circ\text{C}$ , $7\text{ V} \leq V_{IN} \leq 25\text{ V}$
	$\delta V_{OLine2}$	—	10	50	mV	$T_j = 25^\circ\text{C}$ , $8\text{ V} \leq V_{IN} \leq 12\text{ V}$
Load regulation	$\delta V_{OLoad1}$	—	30	100	mV	$T_j = 25^\circ\text{C}$ , $5\text{ mA} \leq I_{OUT} \leq 1.5\text{ A}$
	$\delta V_{OLoad2}$	—	10	50	mV	$T_j = 25^\circ\text{C}$ , $250\text{ mA} \leq I_{OUT} \leq 750\text{ mA}$
Quiescent current	$I_Q$	0.8	3.5	7.0	mA	$T_j = 25^\circ\text{C}$ , $I_{OUT} = 0$
Quiescent current change	$\delta I_{Q1}$	—	—	1.3	mA	$7\text{ V} \leq V_{IN} \leq 25\text{ V}$
	$\delta I_{Q2}$	—	—	0.5	mA	$5\text{ mA} \leq I_{OUT} \leq 1.0\text{ A}$
Voltage drop	Vdrop	—	2.0	2.5	V	$T_j = 25^\circ\text{C}$ , $I_{OUT} = 1.0\text{ A}$
Ripple rejection ratio	$R_{REJ}$	—	60	—	dB	$T_j = 25^\circ\text{C}$ , $f = 10\text{ kHz}$
Temperature coefficient of output voltage	$\delta V_{OUT}/\delta T_a$	—	-0.5	—	$\text{mV}/^\circ\text{C}$	$I_{OUT} = 5\text{ mA}$
Output noise voltage	Vn	—	120	—	$\mu\text{V}_{rms}$	$T_j = 25^\circ\text{C}$ , $10\text{ Hz} \leq f \leq 100\text{ kHz}$
Output short circuit current	$I_{OS}$	—	1.25	—	A	$T_j = 25^\circ\text{C}$
Peak output current	lop	—	2.2	—	A	$T_j = 25^\circ\text{C}$

**HA17806V/VP/VPJ Electrical Characteristics**
 $(V_{IN} = 11\text{ V}, I_{OUT} = 500\text{ mA}, 0^{\circ}\text{C} \leq T_j \leq 125^{\circ}\text{C}, C_{IN} = 0.33\text{ }\mu\text{F}, C_{OUT} = 0.1\text{ }\mu\text{F})$ 

Item	Symbol	Min	Typ	Max	Unit	Test Conditions
Output voltage	$V_{OUT1}$	5.75	6.00	6.25	V	$T_j = 25^{\circ}\text{C}$
	$V_{OUT2}$	5.7	—	6.3	V	$8\text{ V} \leq V_{IN} \leq 21\text{ V},$ $5\text{ mA} \leq I_{OUT} \leq 1.0\text{ A}, P_T \leq 15\text{ W}$
Line regulation	$\delta V_{OLine1}$	—	36	120	mV	$T_j = 25^{\circ}\text{C}, 8\text{ V} \leq V_{IN} \leq 25\text{ V}$
	$\delta V_{OLine2}$	—	12	60	mV	$T_j = 25^{\circ}\text{C}, 9\text{ V} \leq V_{IN} \leq 13\text{ V}$
Load regulation	$\delta V_{OLoad1}$	—	36	120	mV	$T_j = 25^{\circ}\text{C}, 5\text{ mA} \leq I_{OUT} \leq 1.5\text{ A}$
	$\delta V_{OLoad2}$	—	12	60	mV	$T_j = 25^{\circ}\text{C}, 250\text{ mA} \leq I_{OUT} \leq 750\text{ mA}$
Quiescent current	$I_Q$	0.8	3.5	7.0	mA	$T_j = 25^{\circ}\text{C}, I_{OUT} = 0$
Quiescent current change	$\delta I_{Q1}$	—	—	1.3	mA	$8\text{ V} \leq V_{IN} \leq 25\text{ V}$
	$\delta I_{Q2}$	—	—	0.5	mA	$5\text{ mA} \leq I_{OUT} \leq 1.0\text{ A}$
Voltage drop	Vdrop	—	2.0	2.5	V	$T_j = 25^{\circ}\text{C}, I_{OUT} = 1.0\text{ A}$
Ripple rejection ratio	$R_{REJ}$	—	60	—	dB	$T_j = 25^{\circ}\text{C}, f = 10\text{ kHz}$
Temperature coefficient of output voltage	$\delta V_{OUT}/\delta T_a$	—	-0.5	—	mV/°C	$I_{OUT} = 5\text{ mA}$
Output noise voltage	Vn	—	120	—	$\mu\text{V}_{rms}$	$T_j = 25^{\circ}\text{C}, 10\text{ Hz} \leq f \leq 100\text{ kHz}$
Output short circuit current	$I_{OS}$	—	1.2	—	A	$T_j = 25^{\circ}\text{C}$
Peak output current	Iop	—	2.2	—	A	$T_j = 25^{\circ}\text{C}$

# HA17800V/VP/VPJ Series

## HA17807V/VP/VPJ Electrical Characteristics

( $V_{IN} = 12.5\text{ V}$ ,  $I_{OUT} = 500\text{ mA}$ ,  $0^\circ\text{C} \leq T_j \leq 125^\circ\text{C}$ ,  $C_{IN} = 0.33\text{ }\mu\text{F}$ ,  $C_{OUT} = 0.1\text{ }\mu\text{F}$ )

Item	Symbol	Min	Typ	Max	Unit	Test Conditions
Output voltage	$V_{OUT1}$	6.72	7.00	7.28	V	$T_j = 25^\circ\text{C}$
	$V_{OUT2}$	6.65	—	7.35	V	$9\text{ V} \leq V_{IN} \leq 22\text{ V}$ , $5\text{ mA} \leq I_{OUT} \leq 1.0\text{ A}$ , $P_T \leq 15\text{ W}$
Line regulation	$\delta V_{OLine1}$	—	45	140	mV	$T_j = 25^\circ\text{C}$ , $9\text{ V} \leq V_{IN} \leq 25\text{ V}$
	$\delta V_{OLine2}$	—	15	70	mV	$T_j = 25^\circ\text{C}$ , $10\text{ V} \leq V_{IN} \leq 15\text{ V}$
Load regulation	$\delta V_{OLoad1}$	—	45	140	mV	$T_j = 25^\circ\text{C}$ , $5\text{ mA} \leq I_{OUT} \leq 1.5\text{ A}$
	$\delta V_{OLoad2}$	—	15	70	mV	$T_j = 25^\circ\text{C}$ , $250\text{ mA} \leq I_{OUT} \leq 750\text{ mA}$
Quiescent current	$I_Q$	0.8	3.5	7.0	mA	$T_j = 25^\circ\text{C}$ , $I_{OUT} = 0$
Quiescent current change	$\delta I_{Q1}$	—	—	1.3	mA	$9\text{ V} \leq V_{IN} \leq 25\text{ V}$
	$\delta I_{Q2}$	—	—	0.5	mA	$5\text{ mA} \leq I_{OUT} \leq 1.0\text{ A}$
Voltage drop	Vdrop	—	2.0	2.5	V	$T_j = 25^\circ\text{C}$ , $I_{OUT} = 1.0\text{ A}$
Ripple rejection ratio	$R_{REJ}$	—	58	—	dB	$T_j = 25^\circ\text{C}$ , $f = 10\text{ kHz}$
Temperature coefficient of output voltage	$\delta V_{OUT}/\delta T_a$	—	-0.6	—	mV/C	$I_{OUT} = 5\text{ mA}$
Output noise voltage	Vn	—	140	—	$\mu\text{V}_{rms}$	$T_j = 25^\circ\text{C}$ , $10\text{ Hz} \leq f \leq 100\text{ kHz}$
Output short circuit current	$I_{OS}$	—	1.1	—	A	$T_j = 25^\circ\text{C}$
Peak output current	lop	—	2.2	—	A	$T_j = 25^\circ\text{C}$

**HA17808V/VP/VPJ Electrical Characteristics**
 $(V_{IN} = 14\text{ V}, I_{OUT} = 500\text{ mA}, 0^{\circ}\text{C} \leq T_j \leq 125^{\circ}\text{C}, C_{IN} = 0.33\text{ }\mu\text{F}, C_{OUT} = 0.1\text{ }\mu\text{F})$ 

Item	Symbol	Min	Typ	Max	Unit	Test Conditions
Output voltage	$V_{OUT1}$	7.70	8.00	8.30	V	$T_j = 25^{\circ}\text{C}$
	$V_{OUT2}$	7.6	—	8.4	V	$10.5\text{ V} \leq V_{IN} \leq 23\text{ V}$ , $5\text{ mA} \leq I_{OUT} \leq 1.0\text{ A}$ , $P_T \leq 15\text{ W}$
Line regulation	$\delta V_{OLine1}$	—	58	160	mV	$T_j = 25^{\circ}\text{C}$ , $10.5\text{ V} \leq V_{IN} \leq 25\text{ V}$
	$\delta V_{OLine2}$	—	20	80	mV	$T_j = 25^{\circ}\text{C}$ , $11\text{ V} \leq V_{IN} \leq 17\text{ V}$
Load regulation	$\delta V_{OLoad1}$	—	58	160	mV	$T_j = 25^{\circ}\text{C}$ , $5\text{ mA} \leq I_{OUT} \leq 1.5\text{ A}$
	$\delta V_{OLoad2}$	—	20	80	mV	$T_j = 25^{\circ}\text{C}$ , $250\text{ mA} \leq I_{OUT} \leq 750\text{ mA}$
Quiescent current	$I_Q$	0.8	3.5	7.0	mA	$T_j = 25^{\circ}\text{C}$ , $I_{OUT} = 0$
Quiescent current change	$\delta I_{Q1}$	—	—	1.0	mA	$10.5\text{ V} \leq V_{IN} \leq 25\text{ V}$
	$\delta I_{Q2}$	—	—	0.5	mA	$5\text{ mA} \leq I_{OUT} \leq 1.0\text{ A}$
Voltage drop	Vdrop	—	2.0	2.5	V	$T_j = 25^{\circ}\text{C}$ , $I_{OUT} = 1.0\text{ A}$
Ripple rejection ratio	$R_{REJ}$	—	58	—	dB	$T_j = 25^{\circ}\text{C}$ , $f = 10\text{ kHz}$
Temperature coefficient of output voltage	$\delta V_{OUT}/\delta T_a$	—	-0.6	—	mV/C	$I_{OUT} = 5\text{ mA}$
Output noise voltage	Vn	—	150	—	$\mu\text{Vrms}$	$T_j = 25^{\circ}\text{C}$ , $10\text{ Hz} \leq f \leq 100\text{ kHz}$
Output short circuit current	$I_{OS}$	—	1.0	—	A	$T_j = 25^{\circ}\text{C}$
Peak output current	Iop	—	2.2	—	A	$T_j = 25^{\circ}\text{C}$

# HA17800V/VP/VPJ Series

## HA17812V/VP/VPJ Electrical Characteristics

( $V_{IN} = 19\text{ V}$ ,  $I_{OUT} = 500\text{ mA}$ ,  $0^\circ\text{C} \leq T_j \leq 125^\circ\text{C}$ ,  $C_{IN} = 0.33\text{ }\mu\text{F}$ ,  $C_{OUT} = 0.1\text{ }\mu\text{F}$ )

Item	Symbol	Min	Typ	Max	Unit	Test Conditions
Output voltage	$V_{OUT1}$	11.5	12.0	12.5	V	$T_j = 25^\circ\text{C}$
	$V_{OUT2}$	11.4	—	12.6	V	$14.5\text{ V} \leq V_{IN} \leq 27\text{ V}$ , $5\text{ mA} \leq I_{OUT} \leq 1.0\text{ A}$ , $PT \leq 15\text{ W}$
Line regulation	$\delta V_{OLine1}$	—	100	240	mV	$T_j = 25^\circ\text{C}$ , $14.5\text{ V} \leq V_{IN} \leq 30\text{ V}$
	$\delta V_{OLine2}$	—	33	120	mV	$T_j = 25^\circ\text{C}$ , $16\text{ V} \leq V_{IN} \leq 22\text{ V}$
Load regulation	$\delta V_{OLoad1}$	—	100	240	mV	$T_j = 25^\circ\text{C}$ , $5\text{ mA} \leq I_{OUT} \leq 1.5\text{ A}$
	$\delta V_{OLoad2}$	—	33	120	mV	$T_j = 25^\circ\text{C}$ , $250\text{ mA} \leq I_{OUT} \leq 750\text{ mA}$
Quiescent current	$I_Q$	0.8	3.6	7.2	mA	$T_j = 25^\circ\text{C}$ , $I_{OUT} = 0$
Quiescent current change	$\delta I_{Q1}$	—	—	1.0	mA	$14.5\text{ V} \leq V_{IN} \leq 30\text{ V}$
	$\delta I_{Q2}$	—	—	0.5	mA	$5\text{ mA} \leq I_{OUT} \leq 1.0\text{ A}$
Voltage drop	$V_{drop}$	—	2.0	2.5	V	$T_j = 25^\circ\text{C}$ , $I_{OUT} = 1.0\text{ A}$
Ripple rejection ratio	$R_{REJ}$	—	58	—	dB	$T_j = 25^\circ\text{C}$ , $f = 10\text{ kHz}$
Temperature coefficient of output voltage	$\delta V_{OUT}/\delta T_a$	—	-0.8	—	mV/C	$I_{OUT} = 5\text{ mA}$
Output noise voltage	$V_n$	—	290	—	$\mu\text{V}_{rms}$	$T_j = 25^\circ\text{C}$ , $10\text{ Hz} \leq f \leq 100\text{ kHz}$
Output short circuit current	$I_{OS}$	—	0.6	—	A	$T_j = 25^\circ\text{C}$
Peak output current	$I_{op}$	—	2.1	—	A	$T_j = 25^\circ\text{C}$



**HA17815V/VP/VPJ Electrical Characteristics**
 $(V_{IN} = 23 \text{ V}, I_{OUT} = 500 \text{ mA}, 0^\circ\text{C} \leq T_j \leq 125^\circ\text{C}, C_{IN} = 0.33 \mu\text{F}, C_{OUT} = 0.1 \mu\text{F})$ 

Item	Symbol	Min	Typ	Max	Unit	Test Conditions
Output voltage	$V_{OUT1}$	14.4	15.0	15.6	V	$T_j = 25^\circ\text{C}$
	$V_{OUT2}$	14.25	—	15.75	V	$17.5 \text{ V} \leq V_{IN} \leq 30 \text{ V}$ , $5 \text{ mA} \leq I_{OUT} \leq 1.0 \text{ A}$ , $P_T \leq 15 \text{ W}$
Line regulation	$\delta V_{OLine1}$	—	144	300	mV	$T_j = 25^\circ\text{C}$ , $17.5 \text{ V} \leq V_{IN} \leq 30 \text{ V}$
	$\delta V_{OLine2}$	—	48	150	mV	$T_j = 25^\circ\text{C}$ , $20 \text{ V} \leq V_{IN} \leq 26 \text{ V}$
Load regulation	$\delta V_{OLoad1}$	—	144	300	mV	$T_j = 25^\circ\text{C}$ , $5 \text{ mA} \leq I_{OUT} \leq 1.5 \text{ A}$
	$\delta V_{OLoad2}$	—	48	150	mV	$T_j = 25^\circ\text{C}$ , $250 \text{ mA} \leq I_{OUT} \leq 750 \text{ mA}$
Quiescent current	$I_Q$	0.8	3.6	7.2	mA	$T_j = 25^\circ\text{C}$ , $I_{OUT} = 0$
Quiescent current change	$\delta I_{Q1}$	—	—	1.0	mA	$17.5 \text{ V} \leq V_{IN} \leq 30 \text{ V}$
	$\delta I_{Q2}$	—	—	0.5	mA	$5 \text{ mA} \leq I_{OUT} \leq 1.0 \text{ A}$
Voltage drop	Vdrop	—	2.0	2.5	V	$T_j = 25^\circ\text{C}$ , $I_{OUT} = 1.0 \text{ A}$
Ripple rejection ratio	$R_{REJ}$	—	58	—	dB	$T_j = 25^\circ\text{C}$ , $f = 10 \text{ kHz}$
Temperature coefficient of output voltage	$\delta V_{OUT}/\delta T_a$	—	-0.8	—	mV/C	$I_{OUT} = 5 \text{ mA}$
Output noise voltage	Vn	—	300	—	$\mu\text{V}_{rms}$	$T_j = 25^\circ\text{C}$ , $10 \text{ Hz} \leq f \leq 100 \text{ kHz}$
Output short circuit current	$I_{OS}$	—	0.4	—	A	$T_j = 25^\circ\text{C}$
Peak output current	lop	—	2.1	—	A	$T_j = 25^\circ\text{C}$

# HA17800V/VP/VPJ Series

## HA17818V/VP/VPJ Electrical Characteristics

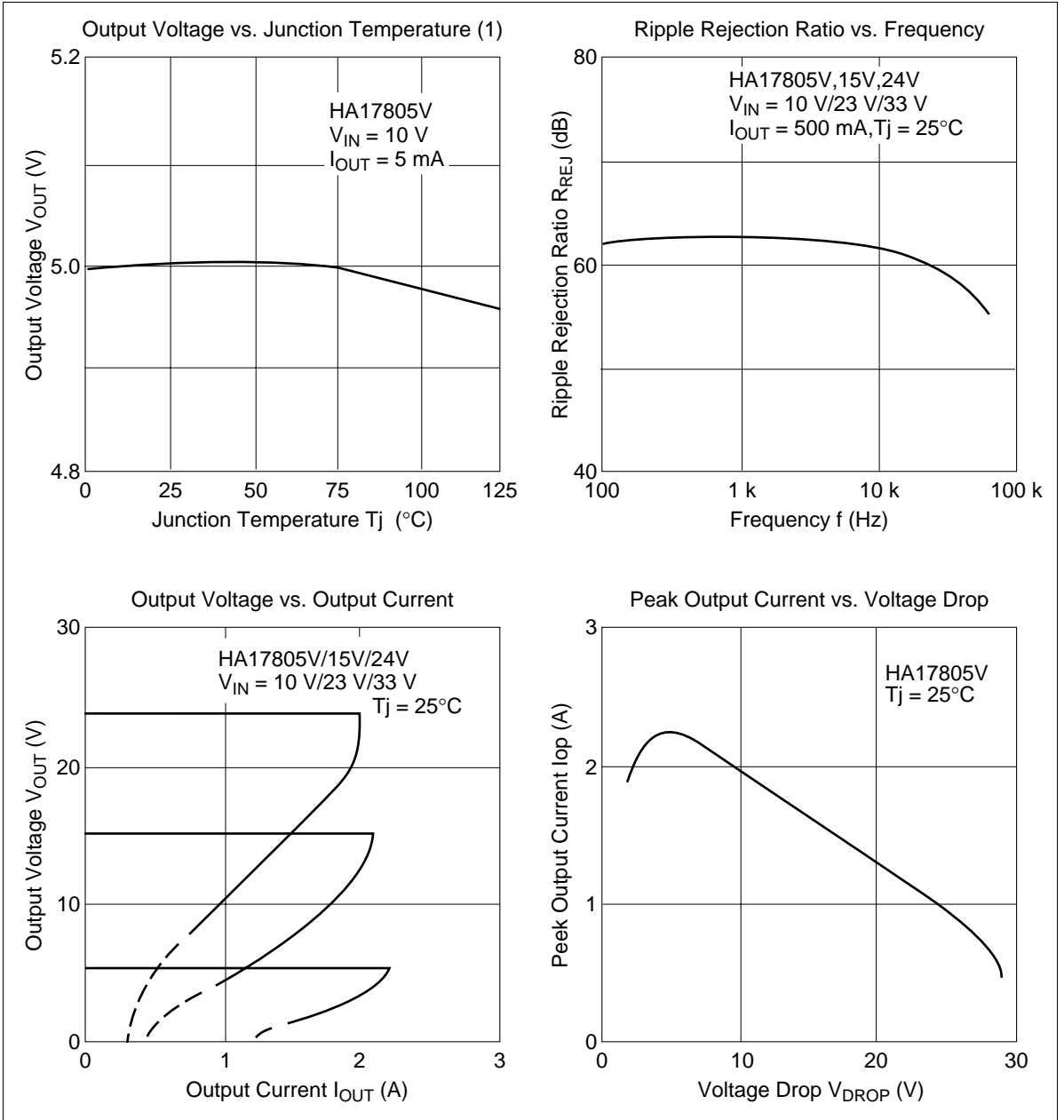
( $V_{IN} = 27\text{ V}$ ,  $I_{OUT} = 500\text{ mA}$ ,  $0^\circ\text{C} \leq T_j \leq 125^\circ\text{C}$ ,  $C_{IN} = 0.33\text{ }\mu\text{F}$ ,  $C_{OUT} = 0.1\text{ }\mu\text{F}$ )

Item	Symbol	Min	Typ	Max	Unit	Test Conditions
Output voltage	$V_{OUT1}$	17.3	18.0	18.7	V	$T_j = 25^\circ\text{C}$
	$V_{OUT2}$	17.1	—	18.9	V	$21\text{ V} \leq V_{IN} \leq 33\text{ V}$ , $5\text{ mA} \leq I_{OUT} \leq 1.0\text{ A}$ , $P_T \leq 15\text{ W}$
Line regulation	$\delta V_{OLine1}$	—	195	360	mV	$T_j = 25^\circ\text{C}$ , $21\text{ V} \leq V_{IN} \leq 33\text{ V}$
	$\delta V_{OLine2}$	—	65	180	mV	$T_j = 25^\circ\text{C}$ , $24\text{ V} \leq V_{IN} \leq 30\text{ V}$
Load regulation	$\delta V_{OLoad1}$	—	195	360	mV	$T_j = 25^\circ\text{C}$ , $5\text{ mA} \leq I_{OUT} \leq 1.5\text{ A}$
	$\delta V_{OLoad2}$	—	65	180	mV	$T_j = 25^\circ\text{C}$ , $250\text{ mA} \leq I_{OUT} \leq 750\text{ mA}$
Quiescent current	$I_Q$	0.8	3.6	7.2	mA	$T_j = 25^\circ\text{C}$ , $I_{OUT} = 0$
Quiescent current change	$\delta I_{Q1}$	—	—	1.0	mA	$21\text{ V} \leq V_{IN} \leq 33\text{ V}$
	$\delta I_{Q2}$	—	—	0.5	mA	$5\text{ mA} \leq I_{OUT} \leq 1.0\text{ A}$
Voltage drop	$V_{drop}$	—	2.0	2.5	V	$T_j = 25^\circ\text{C}$ , $I_{OUT} = 1.0\text{ A}$
Ripple rejection ratio	$R_{REJ}$	—	56	—	dB	$T_j = 25^\circ\text{C}$ , $f = 10\text{ kHz}$
Temperature coefficient of output voltage	$\delta V_{OUT}/\delta T_a$	—	-0.8	—	mV/C	$I_{OUT} = 5\text{ mA}$
Output noise voltage	$V_n$	—	430	—	$\mu\text{V}_{rms}$	$T_j = 25^\circ\text{C}$ , $10\text{ Hz} \leq f \leq 100\text{ kHz}$
Output short circuit current	$I_{OS}$	—	0.35	—	A	$T_j = 25^\circ\text{C}$
Peak output current	$I_{op}$	—	2.1	—	A	$T_j = 25^\circ\text{C}$

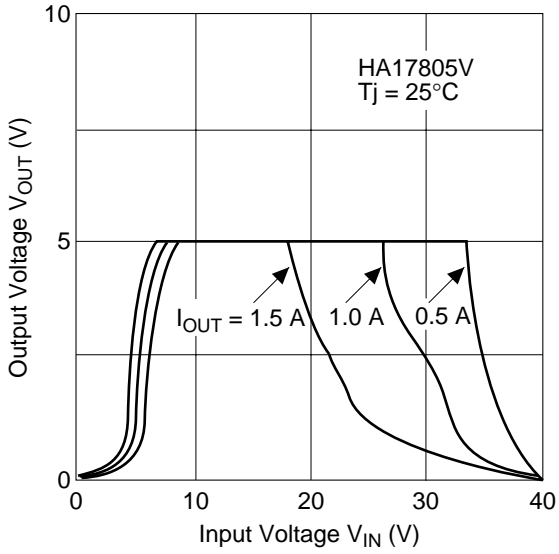
**HA17824V/VP/VPJ Electrical Characteristics**
 $(V_{IN} = 33\text{ V}, I_{OUT} = 500\text{ mA}, 0^{\circ}\text{C} \leq T_j \leq 125^{\circ}\text{C}, C_{IN} = 0.33\text{ }\mu\text{F}, C_{OUT} = 0.1\text{ }\mu\text{F})$ 

Item	Symbol	Min	Typ	Max	Unit	Test Conditions
Output voltage	$V_{OUT1}$	23.0	24.0	25.0	V	$T_j = 25^{\circ}\text{C}$
	$V_{OUT2}$	22.8	—	25.2	V	$27\text{ V} \leq V_{IN} \leq 38\text{ V},$ $5\text{ mA} \leq I_{OUT} \leq 1.0\text{ A}, P_T \leq 15\text{ W}$
Line regulation	$\delta V_{OLine1}$	—	260	480	mV	$T_j = 25^{\circ}\text{C}, 27\text{ V} \leq V_{IN} \leq 38\text{ V}$
	$\delta V_{OLine2}$	—	86	240	mV	$T_j = 25^{\circ}\text{C}, 30\text{ V} \leq V_{IN} \leq 36\text{ V}$
Load regulation	$\delta V_{OLoad1}$	—	260	480	mV	$T_j = 25^{\circ}\text{C}, 5\text{ mA} \leq I_{OUT} \leq 1.5\text{ A}$
	$\delta V_{OLoad2}$	—	86	240	mV	$T_j = 25^{\circ}\text{C}, 250\text{ mA} \leq I_{OUT} \leq 750\text{ mA}$
Quiescent current	$I_Q$	0.8	3.7	7.4	mA	$T_j = 25^{\circ}\text{C}, I_{OUT} = 0$
Quiescent current change	$\delta I_{Q1}$	—	—	1.0	mA	$27\text{ V} \leq V_{IN} \leq 38\text{ V}$
	$\delta I_{Q2}$	—	—	0.5	mA	$5\text{ mA} \leq I_{OUT} \leq 1.0\text{ A}$
Voltage drop	Vdrop	—	2.0	2.5	V	$T_j = 25^{\circ}\text{C}, I_{OUT} = 1.0\text{ A}$
Ripple rejection ratio	$R_{REJ}$	—	50	—	dB	$T_j = 25^{\circ}\text{C}, f = 10\text{ kHz}$
Temperature coefficient of output voltage	$\delta V_{OUT}/\delta T_a$	—	-1.2	—	mV/C	$I_{OUT} = 5\text{ mA}$
Output noise voltage	Vn	—	570	—	$\mu\text{V}_{rms}$	$T_j = 25^{\circ}\text{C}, 10\text{ Hz} \leq f \leq 100\text{ kHz}$
Output short circuit current	$I_{OS}$	—	0.25	—	A	$T_j = 25^{\circ}\text{C}$
Peak output current	Iop	—	2.0	—	A	$T_j = 25^{\circ}\text{C}$

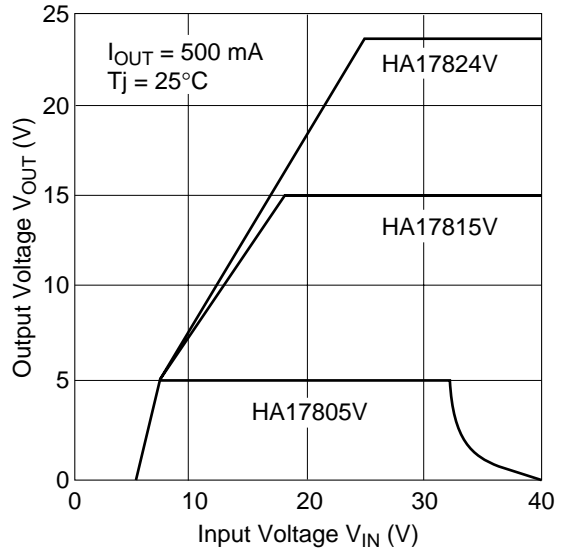
## Characteristic Curves



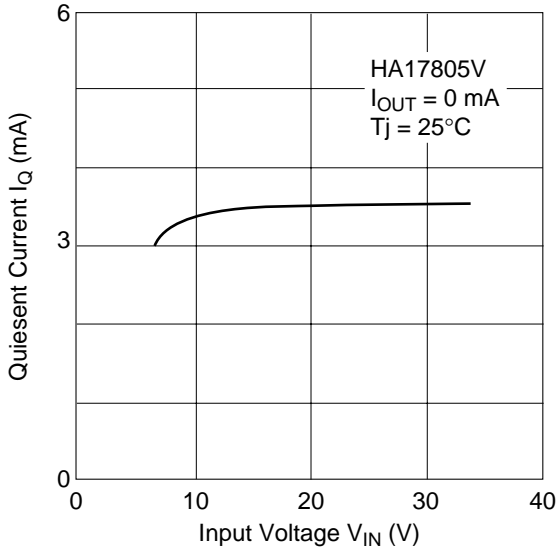
Output Voltage vs. Input Voltage (1)



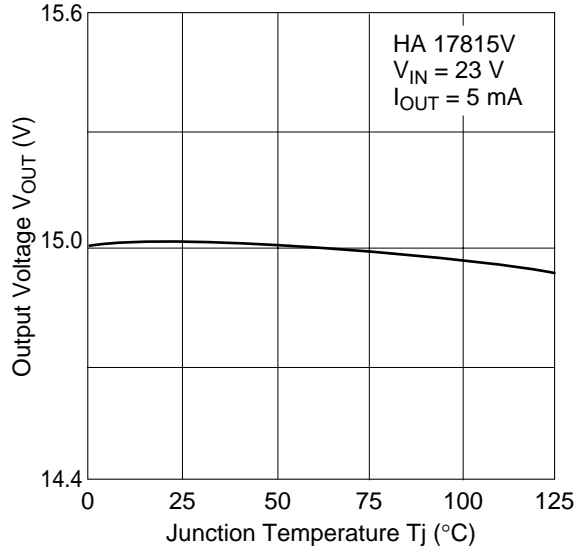
Output Voltage vs. Input Voltage (2)



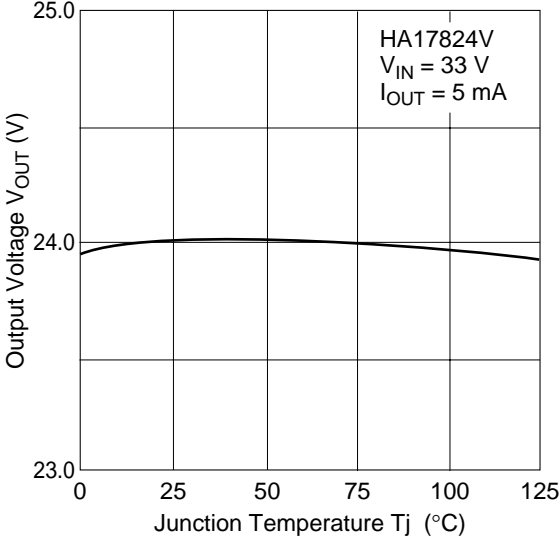
Quiescent Current vs. Input Voltage



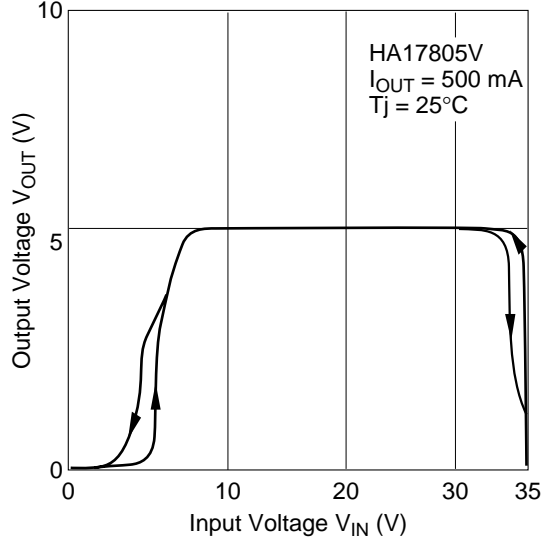
Output Voltage vs. Junction Temperature (2)



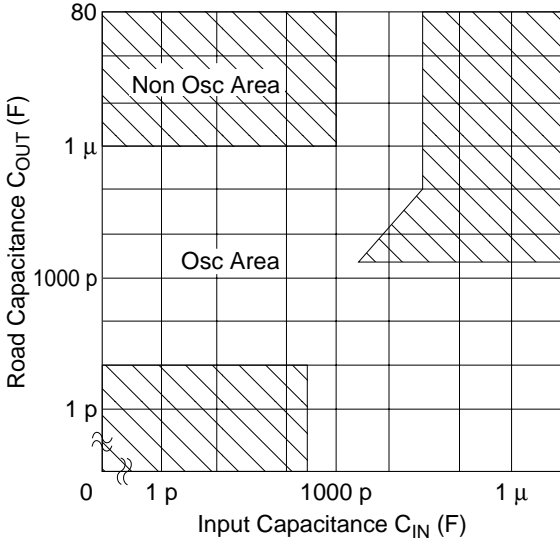
Output Voltage vs. Junction Temperature (3)



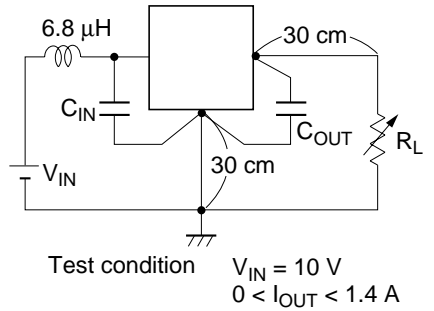
Output Voltage vs. Input Voltage (3)



Oscillation Area

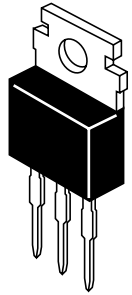
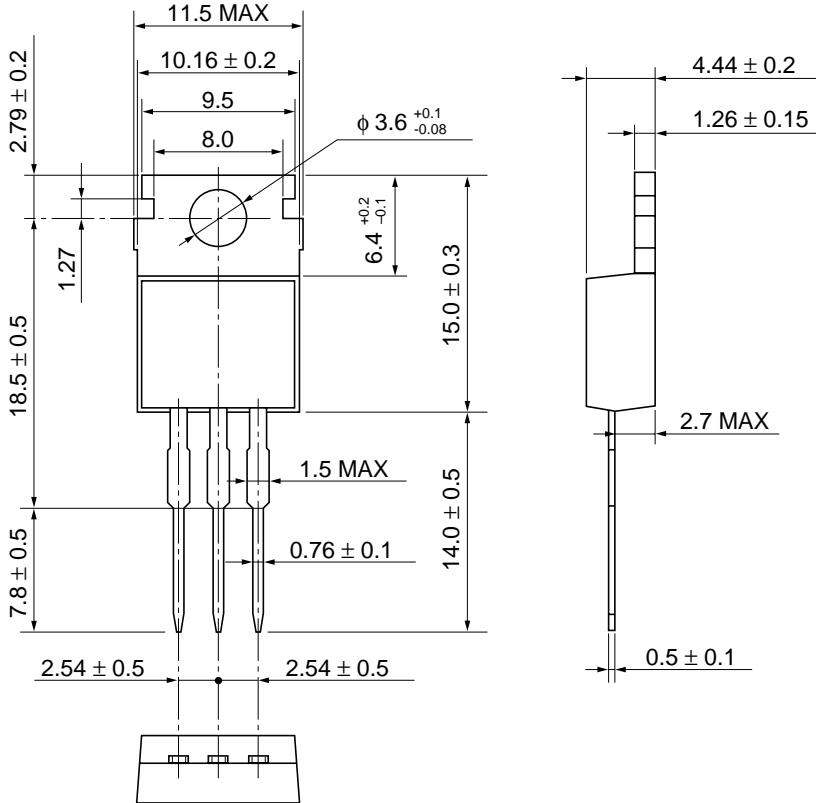


Measurement Circuit



Package Dimensions

Unit: mm



Hitachi Code	TO-220AB
JEDEC	Conforms
EIAJ	Conforms
Mass (reference value)	1.8 g

## Cautions

1. Hitachi neither warrants nor grants licenses of any rights of Hitachi's or any third party's patent, copyright, trademark, or other intellectual property rights for information contained in this document. Hitachi bears no responsibility for problems that may arise with third party's rights, including intellectual property rights, in connection with use of the information contained in this document.
2. Products and product specifications may be subject to change without notice. Confirm that you have received the latest product standards or specifications before final design, purchase or use.
3. Hitachi makes every attempt to ensure that its products are of high quality and reliability. However, contact Hitachi's sales office before using the product in an application that demands especially high quality and reliability or where its failure or malfunction may directly threaten human life or cause risk of bodily injury, such as aerospace, aeronautics, nuclear power, combustion control, transportation, traffic, safety equipment or medical equipment for life support.
4. Design your application so that the product is used within the ranges guaranteed by Hitachi particularly for maximum rating, operating supply voltage range, heat radiation characteristics, installation conditions and other characteristics. Hitachi bears no responsibility for failure or damage when used beyond the guaranteed ranges. Even within the guaranteed ranges, consider normally foreseeable failure rates or failure modes in semiconductor devices and employ systemic measures such as fail-safes, so that the equipment incorporating Hitachi product does not cause bodily injury, fire or other consequential damage due to operation of the Hitachi product.
5. This product is not designed to be radiation resistant.
6. No one is permitted to reproduce or duplicate, in any form, the whole or part of this document without written approval from Hitachi.
7. Contact Hitachi's sales office for any questions regarding this document or Hitachi semiconductor products.

# HITACHI

## Hitachi, Ltd.

Semiconductor & Integrated Circuits.

Nippon Bldg., 2-6-2, Ohite-machi, Chiyoda-ku, Tokyo 100-0004, Japan

Tel: Tokyo (03) 3270-2111 Fax: (03) 3270-5109

URL      NorthAmerica      : <http://semiconductor.hitachi.com/>  
             Europe                : <http://www.hitachi-eu.com/hel/ecg>  
             Asia (Singapore)        : <http://www.has.hitachi.com.sg/grp3/sicd/index.htm>  
             Asia (Taiwan)            : [http://www.hitachi.com.tw/E/Product/SICD\\_Frame.htm](http://www.hitachi.com.tw/E/Product/SICD_Frame.htm)  
             Asia (HongKong)        : <http://www.hitachi.com.hk/eng/bo/grp3/index.htm>  
             Japan                     : <http://www.hitachi.co.jp/Sicd/indx.htm>

## For further information write to:

Hitachi Semiconductor  
(America) Inc.  
179 East Tasman Drive,  
San Jose, CA 95134  
Tel: <1> (408) 433-1990  
Fax: <1> (408) 433-0223

Hitachi Europe GmbH  
Electronic components Group  
Dornacher Straße 3  
D-85622 Feldkirchen, Munich  
Germany  
Tel: <49> (89) 9 9180-0  
Fax: <49> (89) 9 29 30 00

Hitachi Europe Ltd.  
Electronic Components Group.  
Whitebrook Park  
Lower Cookham Road  
Maidenhead  
Berkshire SL6 8YA, United Kingdom  
Tel: <44> (1628) 585000  
Fax: <44> (1628) 778322

Hitachi Asia Pte. Ltd.  
16 Collyer Quay #20-00  
Hitachi Tower  
Singapore 049318  
Tel: 535-2100  
Fax: 535-1533

Hitachi Asia Ltd.  
Taipei Branch Office  
3F, Hung Kuo Building, No.167,  
Tun-Hwa North Road, Taipei (105)  
Tel: <886> (2) 2718-3666  
Fax: <886> (2) 2718-8180

Hitachi Asia (Hong Kong) Ltd.  
Group III (Electronic Components)  
7/F., North Tower, World Finance Centre,  
Harbour City, Canton Road, Tsim Sha Tsui,  
Kowloon, Hong Kong  
Tel: <852> (2) 735 9218  
Fax: <852> (2) 730 0281  
Telex: 40815 HITEC HX

Copyright ' Hitachi, Ltd., 1998. All rights reserved. Printed in Japan.

# HITACHI